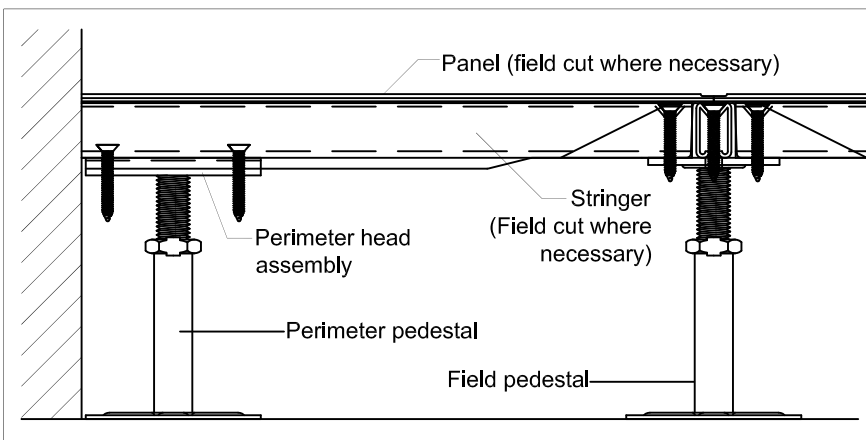


- LEGEND**
1. Access floor panel
  2. Roll formed galvanized steel stringer
  3. 1/4" - 20 X 1 3/4" screw
  4. 1/4" - 20 x 2-3/8" screw
  5. Die formed galv. steel head
  6. Steel stud 3/4" - 10 UNC
  7. Nut with vibration proof locking device (6" FFH and up)
  8. Type 1 base with 7/8" sq. galv. tubing
  9. Die formed embossed galv. steel base
  10. Resistance Weld



## PEDESTAL SPECIFICATIONS

### Pedestal Assembly

- Assembly up to 36" FFH shall provide a 6,000 lb. axial load without permanent deformation.
- Assembly shall provide a 2" total adjustment with a floor height of 7" or greater.
- Standard finished floor heights from 6" to 36". For other finished floor heights please contact the Tate Technical Hotline @ 800-231-7788. For seismic conditions, refer to seismic submittal details.
- Overturning moment of 1,000 in./lbs. when Tate recommended pedestal adhesive is utilized.
- All pedestal components and fasteners are completely electro-zinc free.
- Zinc electroplating shall be prohibited on all pedestal components and fasteners.

### Pedestal Head

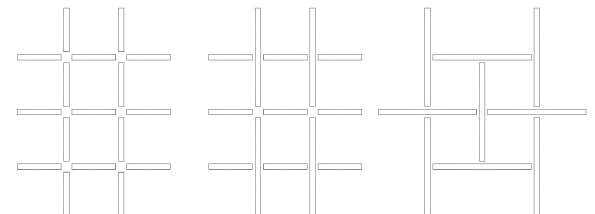
- Standard head is 11 ga. die formed galvanized steel pedestal head and resistance welded stud with adjustment nut. Heavy duty head for CC2000 and CC2500 panels is 8 ga. fillet welded for field and tack welded perimeter head. Head and installed stringers shall provide perimeter support for panel.
- Stringers shall be attached with 1/4" - 20 flat-head screws.
- Pedestal head shall be tapped for engagement of stringer screws.
- Steel stud shall be 3/4" - 10 UNC roll formed.
- Nut shall be 3/4" - 10 UNC with corrosion resistant coating.
- Cornerlock fastener shall be 1/4" - 20 flat-head machine screw.

### Pedestal Base

- Base to be at least 16" square and galvanized steel.
- Pedestal tube shall be 7/8" square galvanized tubing.

### Stringers

- Heavy duty roll formed steel stringer will withstand 450 lb. mid-span load.
- ConCore 2500 panels require the 4' x .054" stringer. All other panels except the ConCore 3000 use the .048" stringer
- Galvanized stringer construction to prevent corrosion. Zinc electroplating is prohibited.
- Stringer shall be 1-1/4" deep x 3/4" wide.
- Stringer grid pattern shall be 2'2", 2'4", or 4'4".



### Perimeter

- Perimeter pedestal shall provide support for panels around columns, at walls, curbs and fascia.