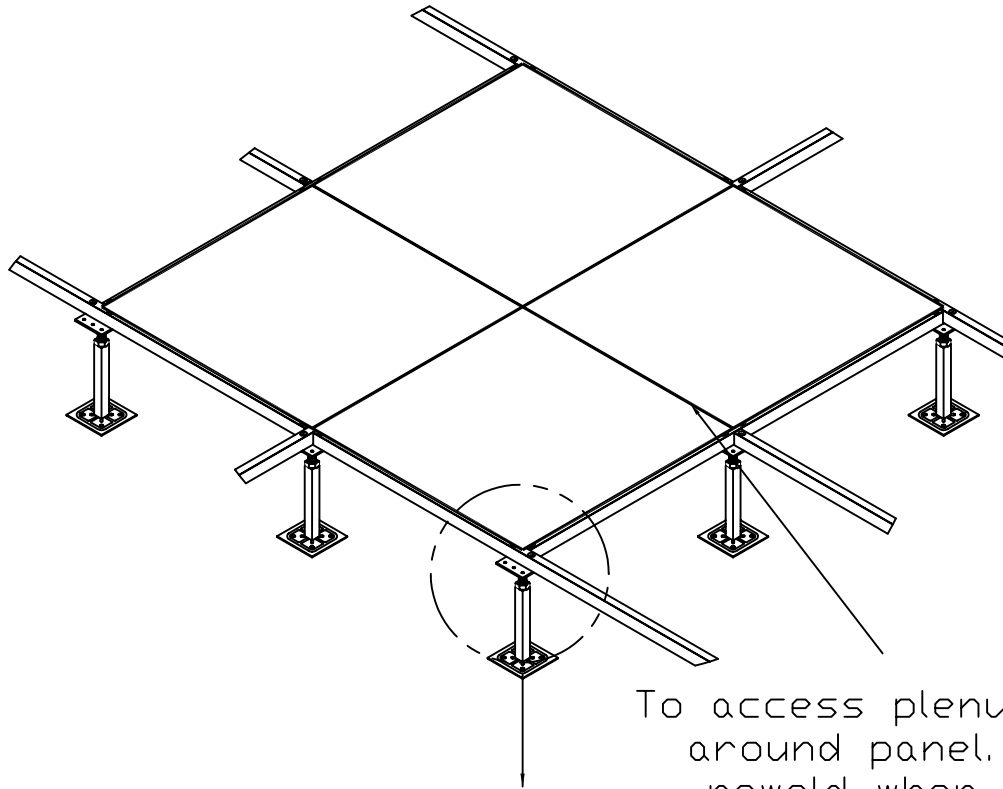
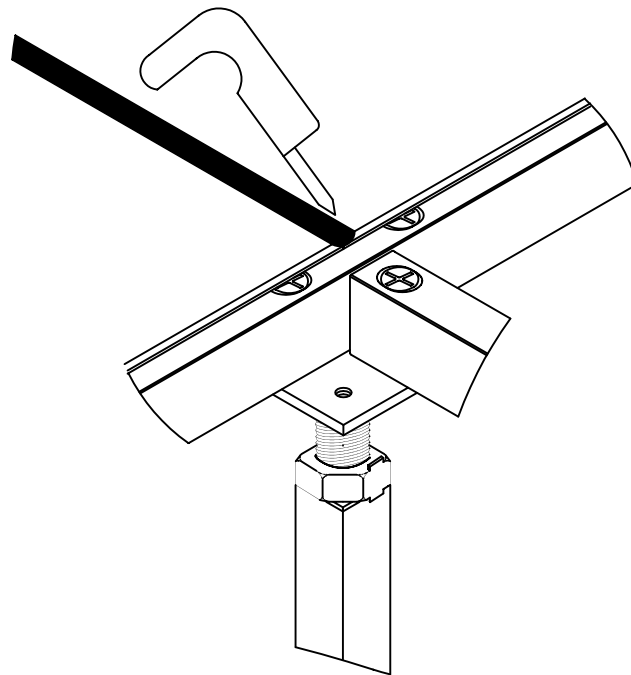


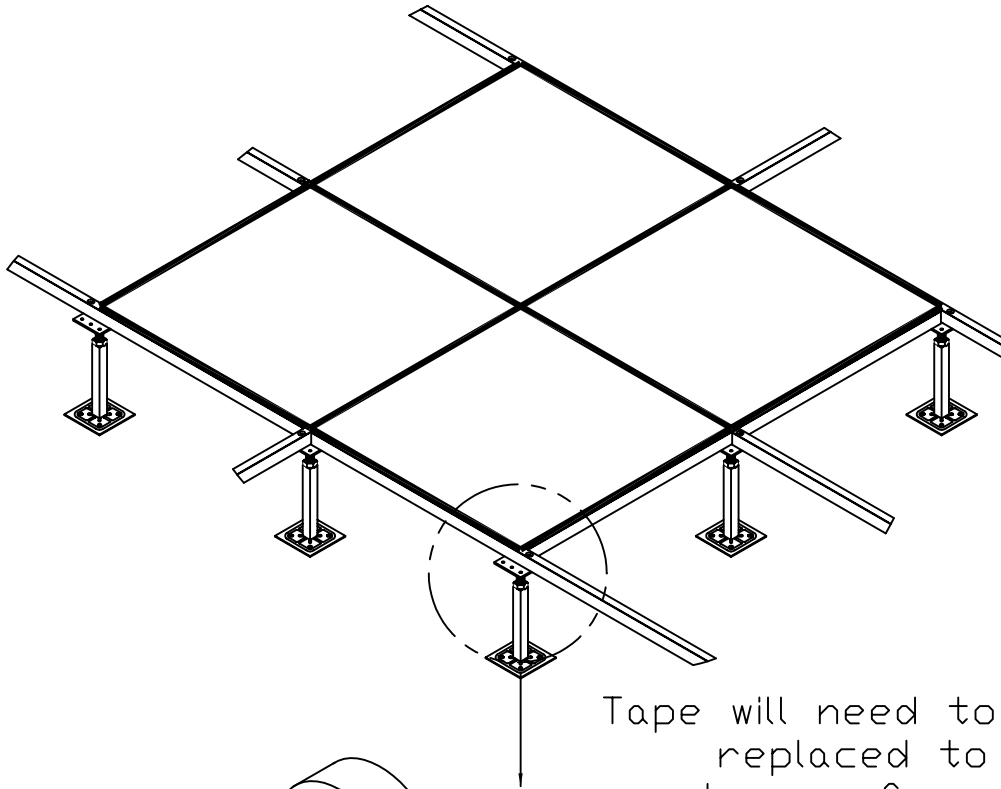
Suitable for use with virtually any conventional floor finish. In addition, provides a waterproof solution when used with the appropriate floor finish. This method does not allow access to the plenum.



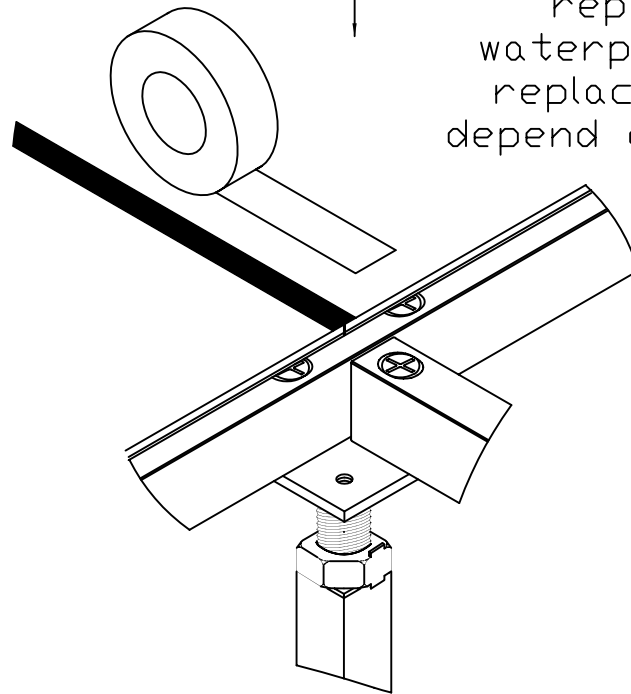
To access plenum, cut welds around panel. Clean and reweld when access is completed.



Heat or cold welded seam on module with vinyl or rubber tile, field welded. Specify monolithic tile with beveled edge.



Tape will need to be routinely replaced to maintain waterproof system. Actual replacement intervals will depend on traffic and water exposure.



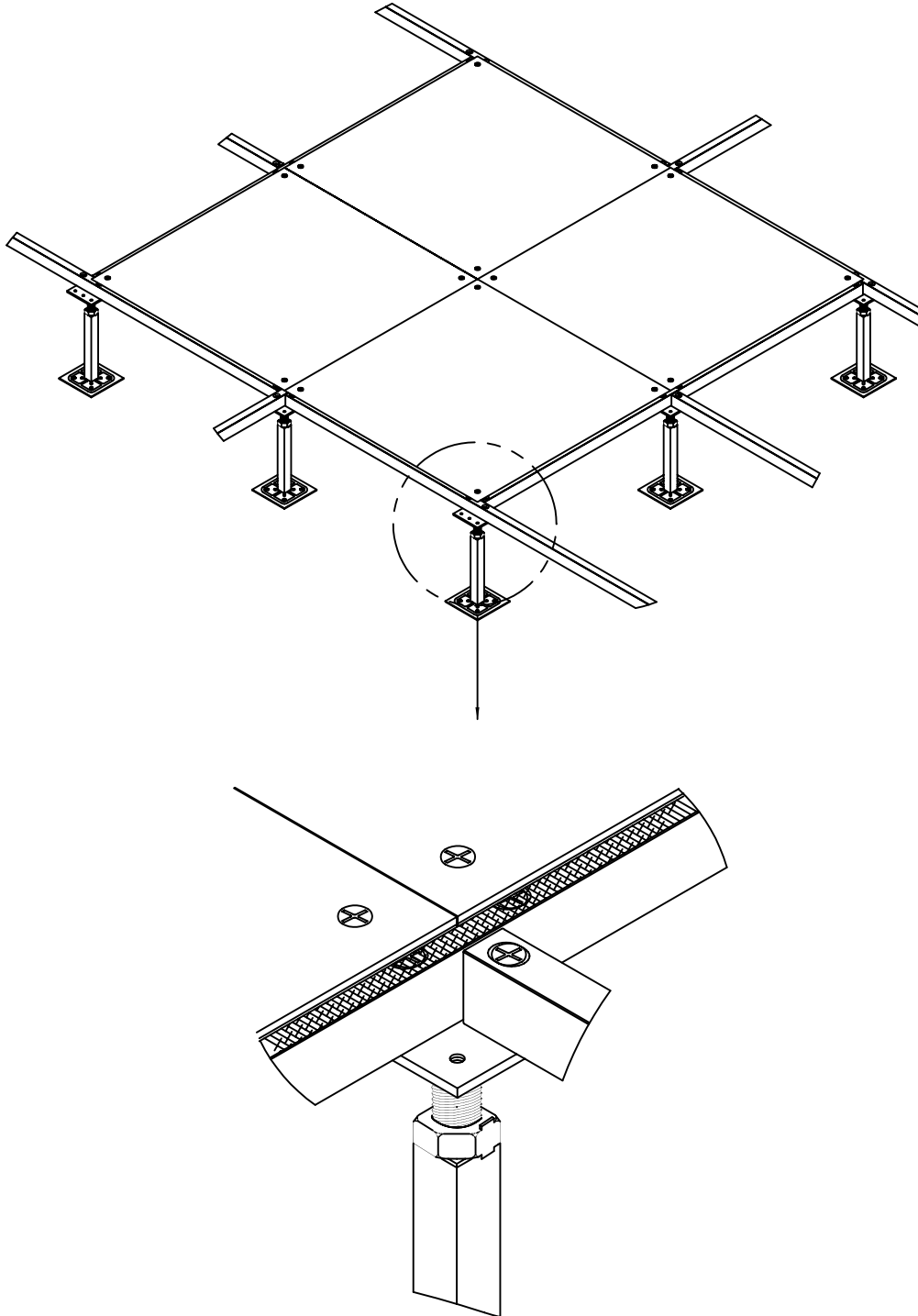
Field applied tape over seams with monolithic or top set trim vinyl or rubber tile.

McMaster Carr #76505A437 - 1" wide blue

McMaster Carr #76505A431 - 1" wide white

McMaster Carr #76505A425 - 1" wide clear

McMaster Carr #1228A56 - 2" wide clear



Field applied gasket on stringer with monolithic vinyl or rubber tile. Install with Combo Screws.

(Water resistant, not waterproof)

McMaster Carr #93745K53 - 3/4" wide gray, firm