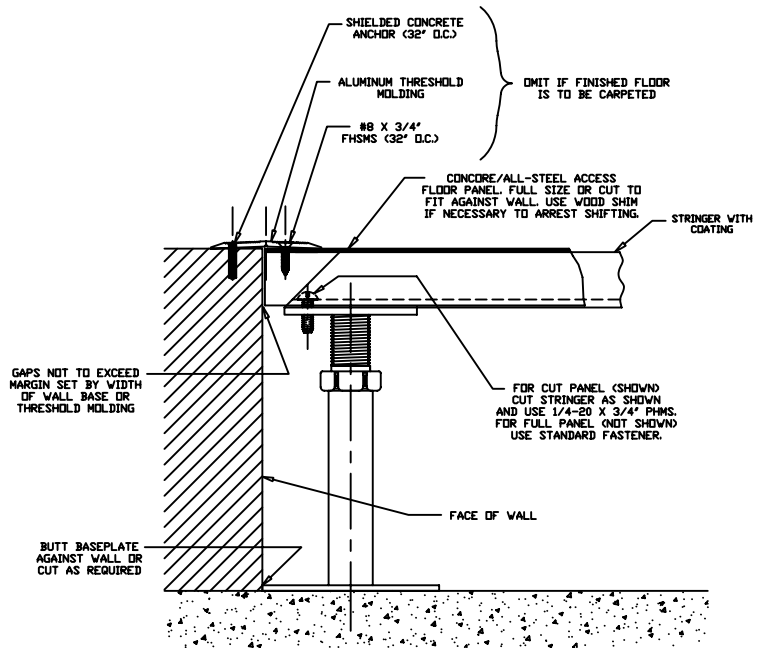
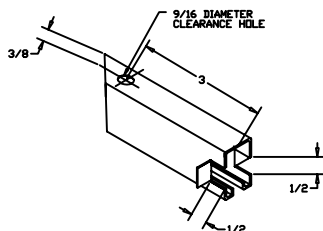


TYPICAL SECTION AT FIELD



SECTION AT CURB

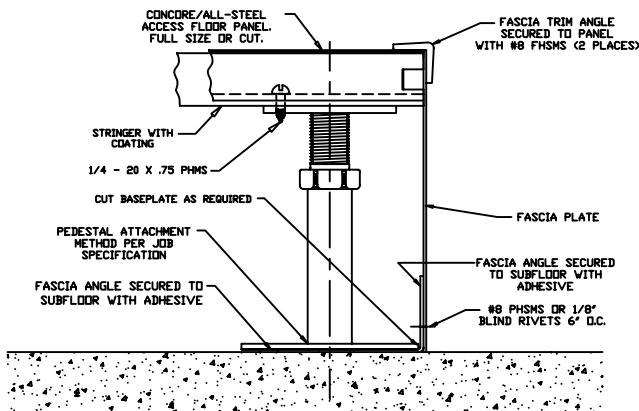


INSTRUCTIONS FOR FULL PANEL

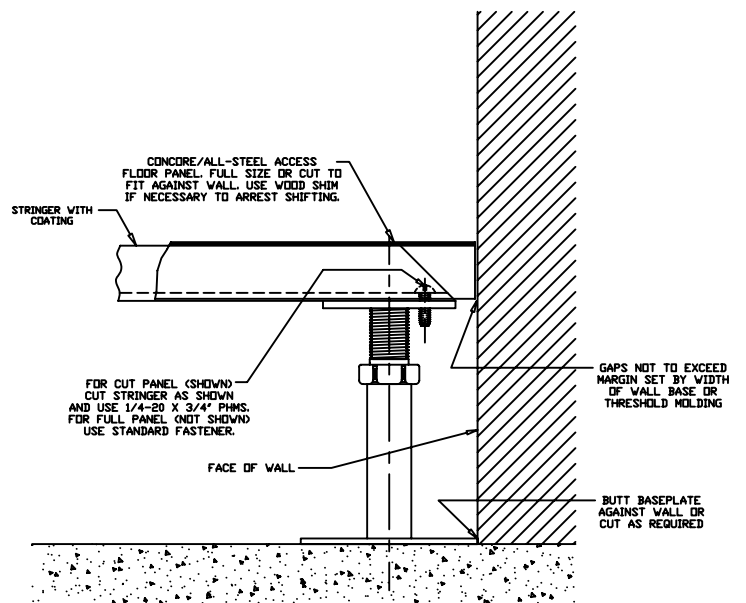
1. ORDER A 4" STRINGER FOR A 2" FASCIA CONDITION
2. CUT STRINGER TO 23-1/2"
3. BAND SAW STRINGER SIDES BACK 1/2"
4. BEND STRINGER SIDES BACK TO 90 DEG WITH PLIERS.
5. DRILL 9/16" HOLE IN TOP OF STRINGER
6. ATTACH STRINGER TO PEDESTAL HEAD WITH 1/4 - 20 PAN HEAD SCREW.

INSTRUCTIONS FOR CUT PANEL

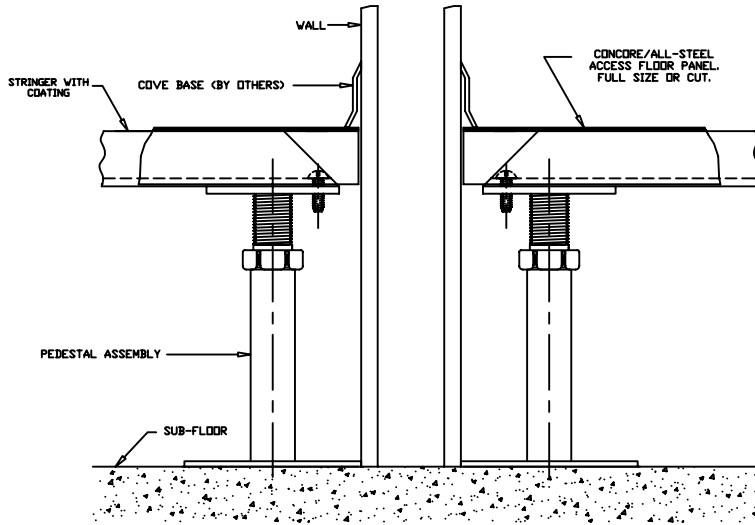
SAME AS ABOVE BUT USE STANDARD STRINGER



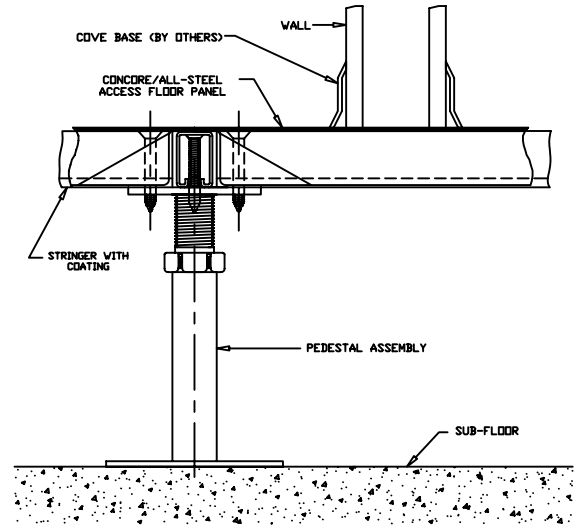
SECTION AT FASCIA



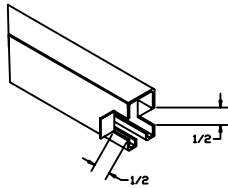
SECTION AT EXTERIOR WALL



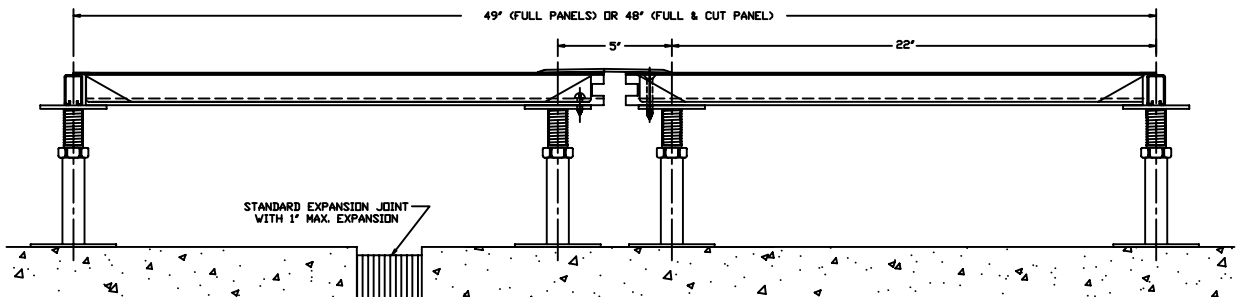
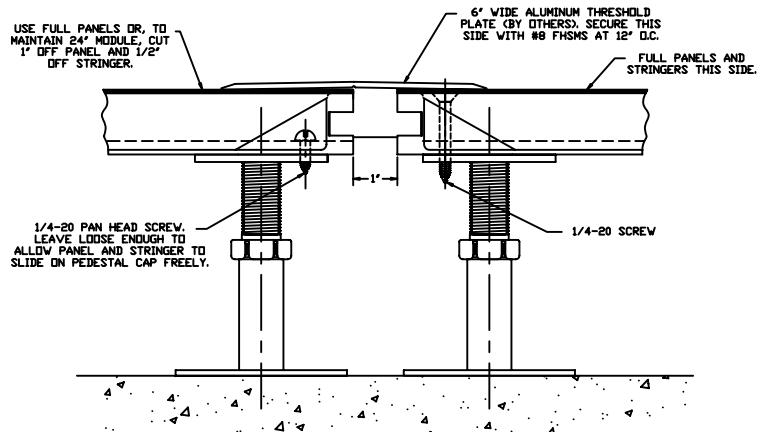
SECTION AT THRU WALL



SECTION WITH SURFACE PARTITION



STRINGER CUTTING INSTRUCTIONS FOR PANEL RESTRAINT
 1. HAND SAW STRINGER SIDES BACK 1/2".
 2. BEND STRINGER SIDES BACK TO 90° WITH PLIERS.



EXPANSION JOINT